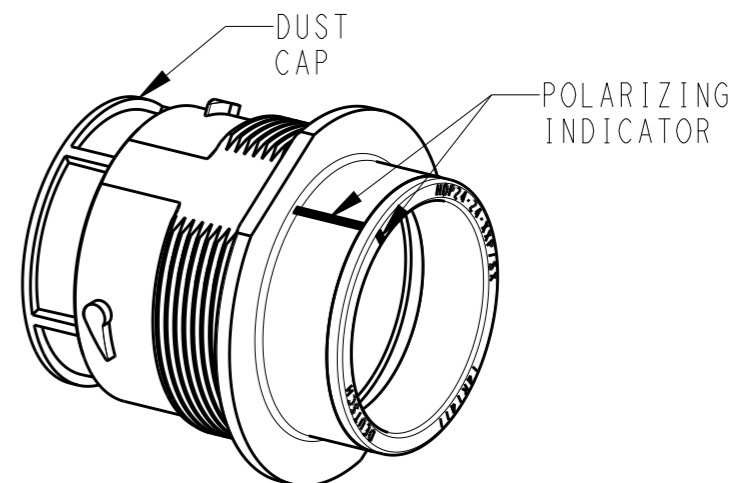
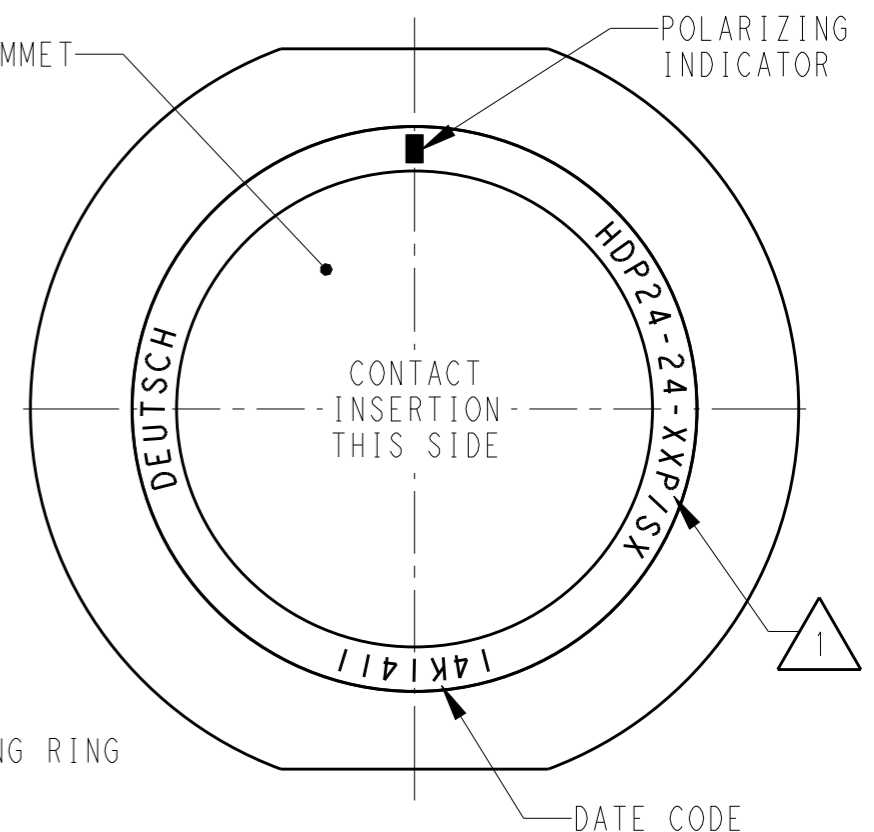
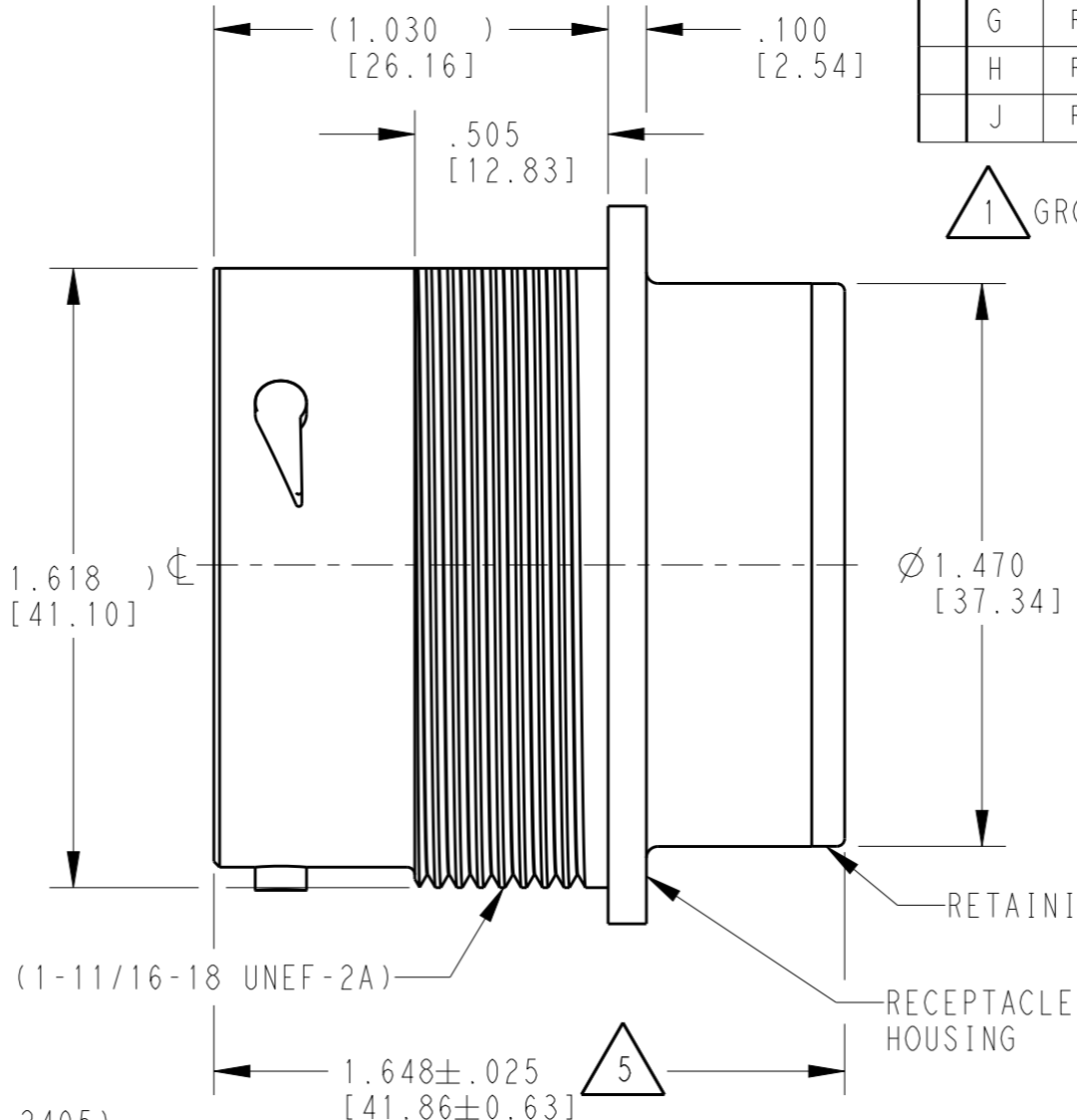
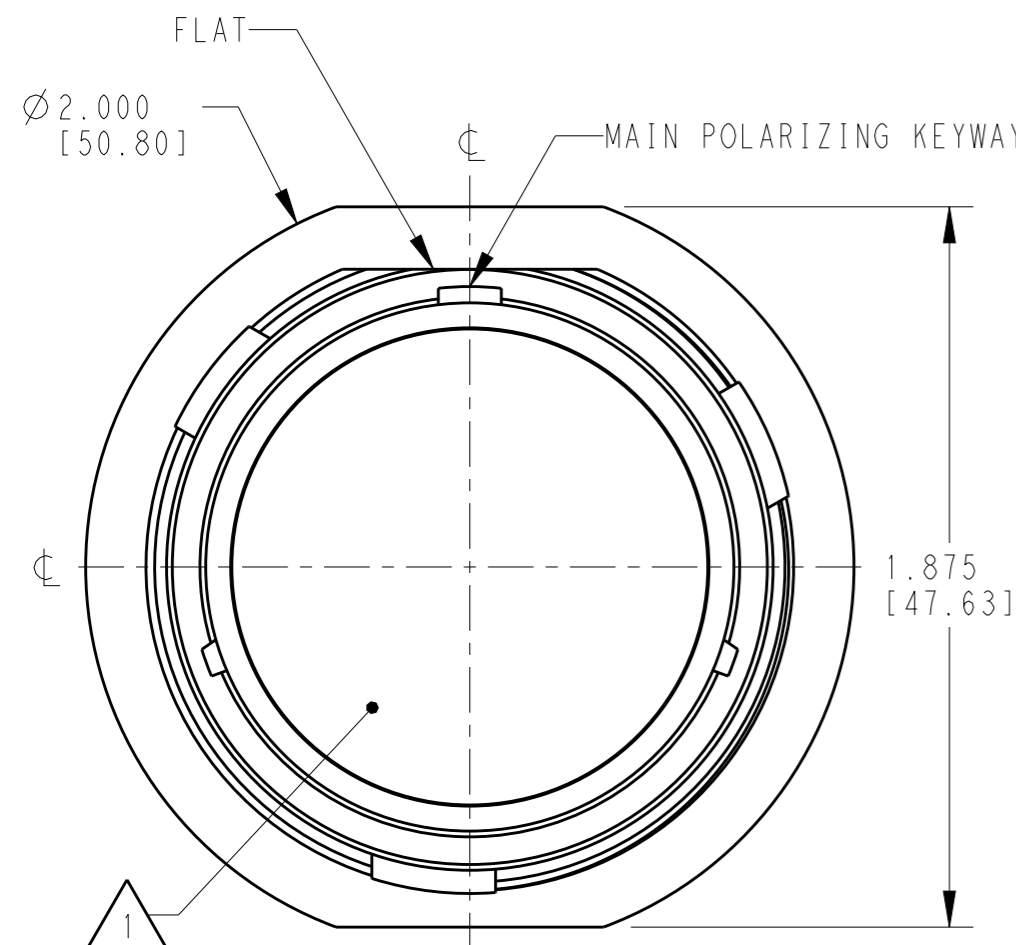


P	LTR	DESCRIPTION	DATE	DWN	APVD
F		REVISED PER E.O. P18119	14APR2003	AR	RDR
G		REVISED PER E.O. P18449	04FEB2004	XS	RDR
H		REVISED PER E.O. P21391	15JUN2012	AM	RDR
J		REVISED PER ECO-14-019072	23FEB2015	JA	DM



- 6. RECEPTACLE IS SUPPLIED WITH DUST CAP (2415-001-2405).
- 5. NOTED DIMENSION DOES NOT INCLUDE GROMMET PROTRUSION.
- 4. MATERIAL: RECEPTACLE HOUSING: PA66 GF10 (BLACK)
 RETAINER RING: PA66 GF10 (GREEN, GRAY, BLUE)
 GROMMET: SILICONE (ORANGE-RED)
- 3. SEE 0425-021-0000 APPLICATION SPECIFICATION
 A. RECOMMENDED WIRE INSULATION RANGE
 B. CONTACT REMOVAL TOOLS
 C. RECOMMENDED MOUNTING HOLE & PANEL THICKNESS
 D. MOUNTING HARDWARE & MOUNTING TORQUE.

- 2. THIS RECEPTACLE MATES WITH HDP26-24-XXP/SX-XXXX PLUG
 X = SEAL TYPE (N,T,E)
 XX = INSERT ARRANGEMENT
 XXXX = MODIFICATION
- 1. SEE CUSTOMER DRAWING, 0425-014-2400 FOR AVAILABLE INSERT ARRANGEMENTS AND PART NUMBERS.

NOTES:

THIS DRAWING IS A CONTROLLED DOCUMENT.		DWN	03MAR2000	TE TE Connectivity	
		CHK	04FEB2004		
		APVD	16JAN2004		
		PRODUCT SPEC	0425-021-0000		
DIMENSIONS: INCHES [mm]		APPLICATION SPEC	3	NAME	RECEPTACLE, THREADED SIZE 24 HDP SERIES
TOLERANCES UNLESS OTHERWISE SPECIFIED:				SIZE	A3
0 PLC ±				CAGE CODE	4AFU8
1 PLC ±				DRAWING NO	Ⓞ-HDP24-24-XXP/SX
2 PLC ±				RESTRICTED TO	-
3 PLC ±.015 [0.38]					
4 PLC ±					
ANGLES ±0°30'0"					
MATERIAL	FINISH	WEIGHT			
4	N/A				
		Customer Drawing	SCALE	SHEET	REV
			2:1	1 OF 1	J